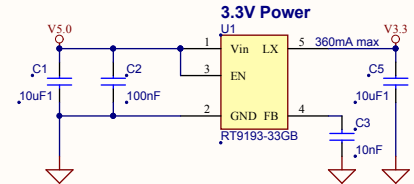
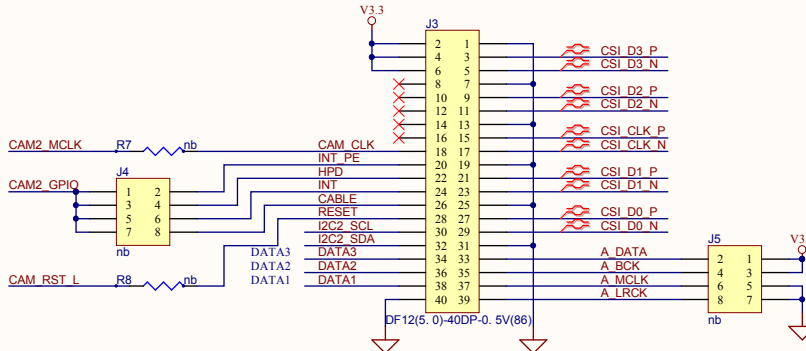
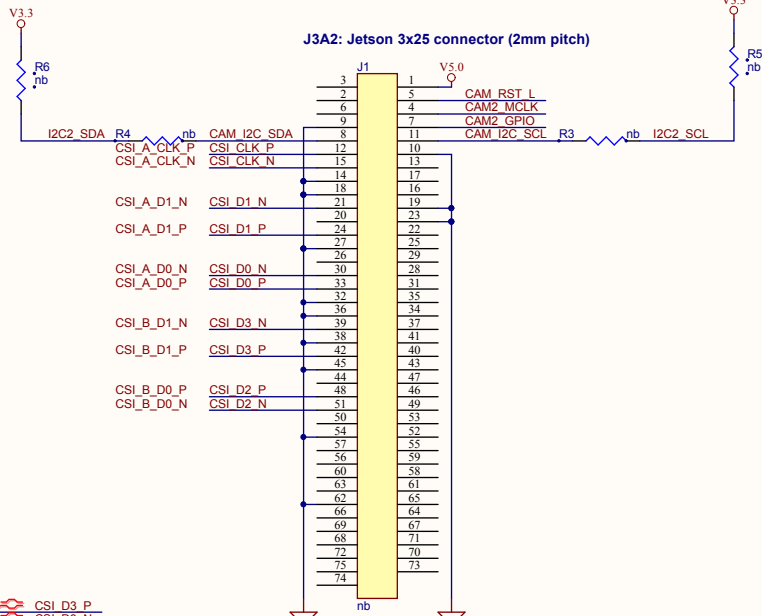
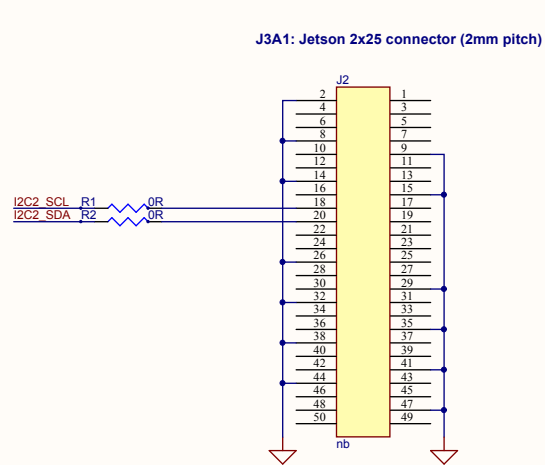


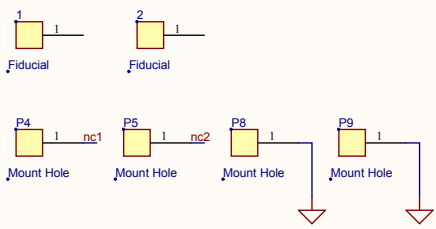
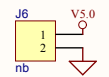
38108: B100 interface to Jetson TK1

CSL_CLK CSL_A_CLK (J3A2 pins 15,12)
 CSI_D0 CSI_A_D0 (J3A2 pins 30,33)
 CSI_D1 CSI_A_D1 (J3A2 pins 21,24)
 I2C GEN2_I2C_3.3V (J3A1 pins 18,20)

CSL_CLK CSL_A_CLK (J3A2 pins 15,12)
 CSI_D0 CSI_A_D0 (J3A2 pins 30,33)
 CSI_D1 CSI_A_D1 (J3A2 pins 21,24)
 CSI_D2 CSI_B_D0 (J3A2 pins 51,48)
 CSI_D3 CSI_B_D1 (J3A2 pins 39,42)



5V Power input (for standalone use)



Title		
38108: B100 to Jetson TK1 interface (Auvidea GmbH)		
Size	Document Number	Rev
A	1.0	1
Date	14. Feb. 2015	Sheet 1 of 1