

# text to speech - TTS

# Auvideus 1000



## TTS: text to speech

The Auvideus is an innovative system with AI driven embedded text to speech technology. It converts written text into spoken words. Just connect it to a public announcement system or speakers. The announcement and messages will be clear and concise. With our cloud free TTS feature you can enjoy seamless operation without an Internet connection.

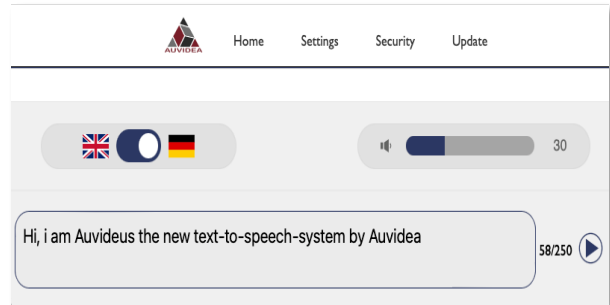
### Key features:

- no pay per use (no service fee)
- no cloud connection required
- choose between multiple voices and languages
- proof of playout
- integrated webserver

### Very easy to use:

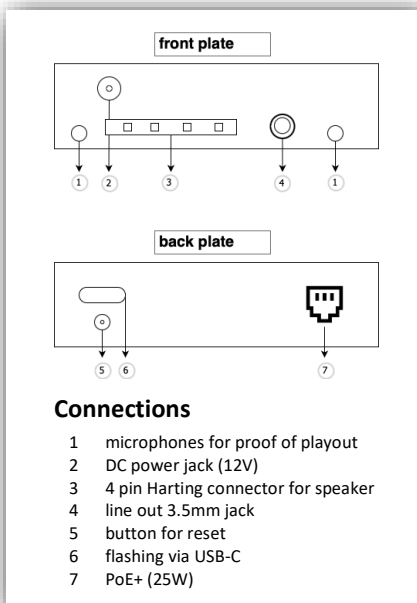
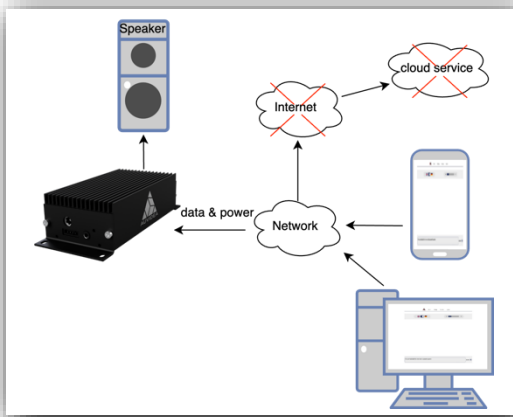
- Open the embedded webpage
- choose the language
- enter the text into the text box
- press the play button
- done => the written text is played as audio

### Embedded web page:



### Applications

- train stations
- authorities
- hospitals
- medical offices
- factories
- supermarkets
- public institutions
- elevators



### YouTube video



### technical features

description	Auvideus 1000
compute module	Orin Nano 8GB
power options	Power over Ethernet (PoE+ (25W) or AC adapter (12V DC)
speaker	2 to 8 Ohm (10W)
speaker plug	4 pin Harting connector
line out	3.5mm stereo jack
microphone	2 MEMs mics integrated
size	159mm x 67mm x 38mm
weight	0.4kg

